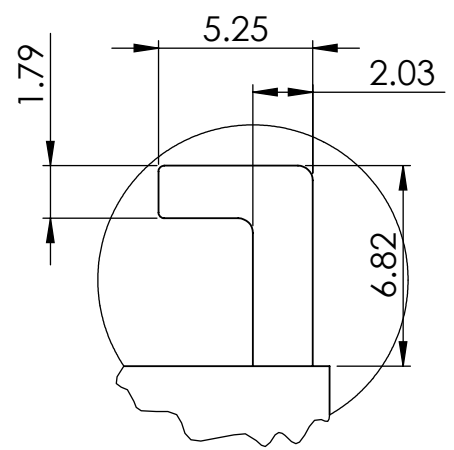


DETAIL B
SCALE 20 : 1



DETAIL A
SCALE 4 : 1

NAME	SIGNATURE	DATE		TITLE: GENERAL DIMENSIONS	
DRAWN: JND			MATERIAL:	4x6 CIC SOLAR CELL - EXA DRAWING	
CHK'D: RNB					
APP'VD: RNB					
MFG:					
Q.A: EXA			WEIGHT:	SCALE: 2:1	SHEET 1 OF 2

A4