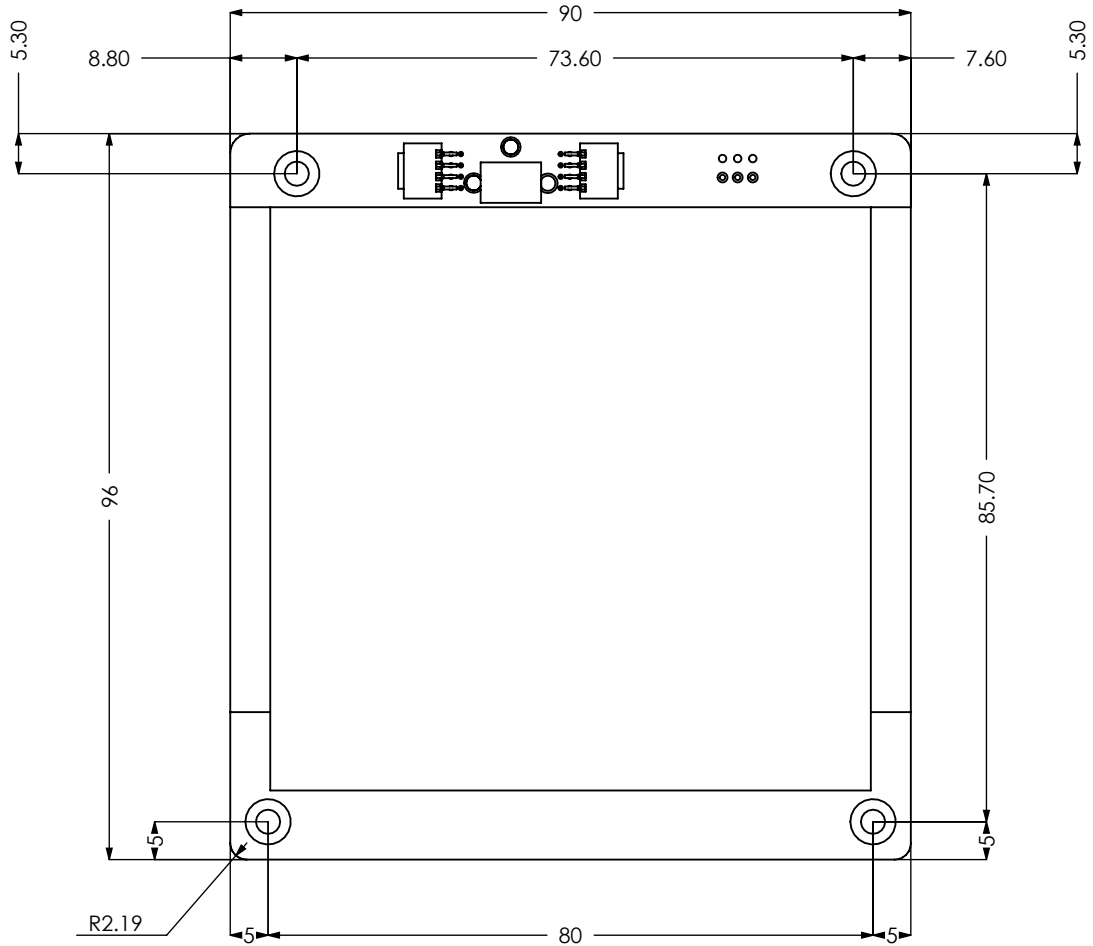
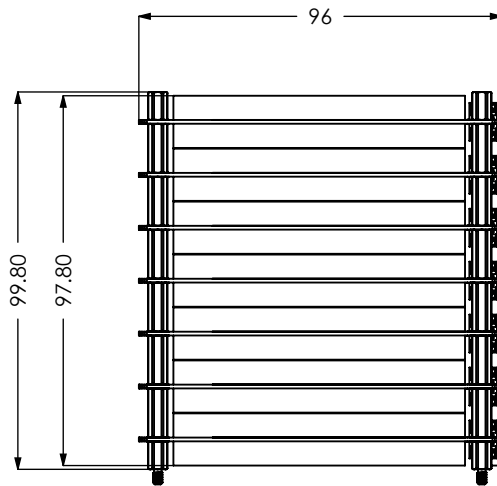
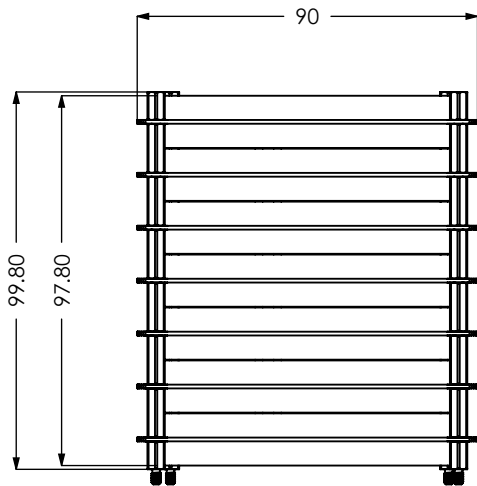


TITAN-1: 350Whr BATTERY MATRIX

V 1.2 Rev B



PC104 FORM FACTOR



	NAME	SIGNATURE	DATE		TITLE: TITAN-1 VOLUMETRIC MEASUREMENTS	
DRAWN	JND		05/May	MATERIAL:	EXA TITAN-1 350Whr 1U CUBESAT BATTERY	A4
CHK'D	RNB		05/May			
APPV'D	RNB		05/May			
MFG	RNB		-			
Q.A	RNB		-	WEIGHT: ??? grams	SCALE: 1:2	SHEET 2 OF 2